



Figure 1: Elstein FIS focus infrared radiator

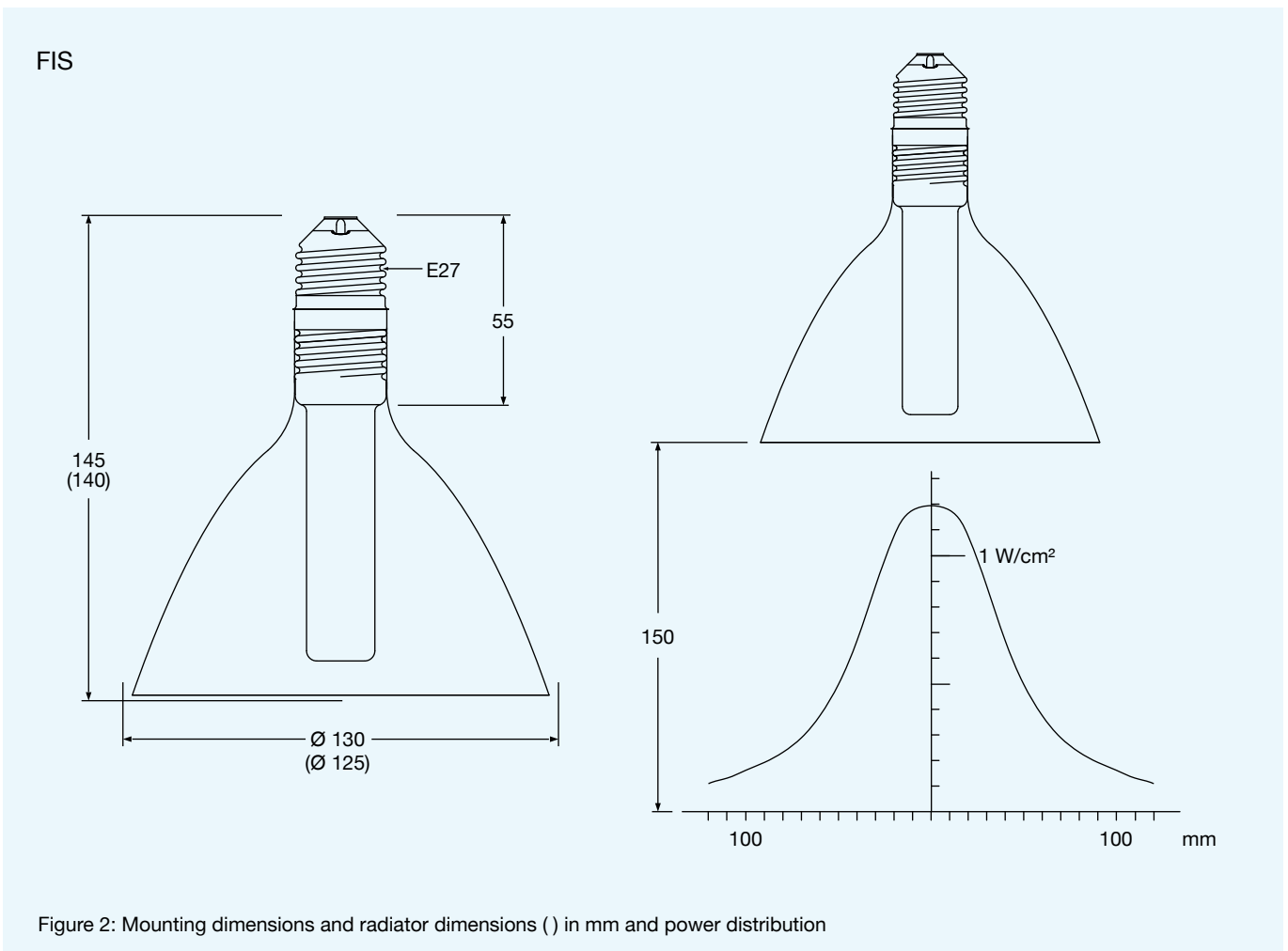
Elstein focus infrared radiators FIS are ceramic IR-dark radiators with reflector made of aluminium and E27 screw caps.

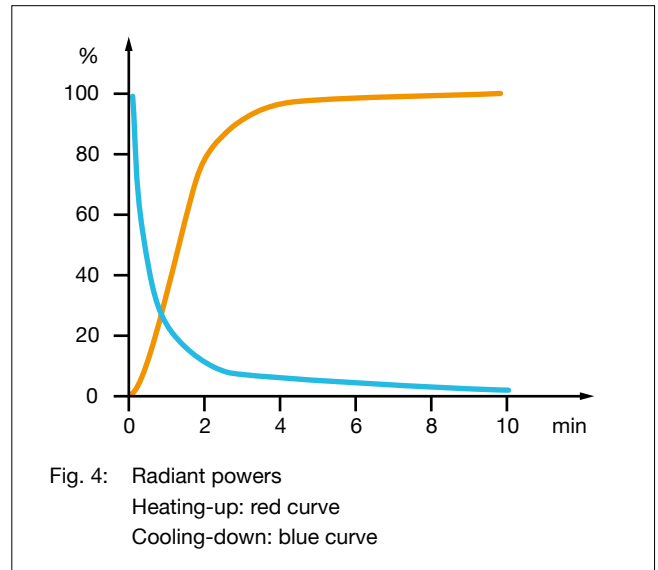
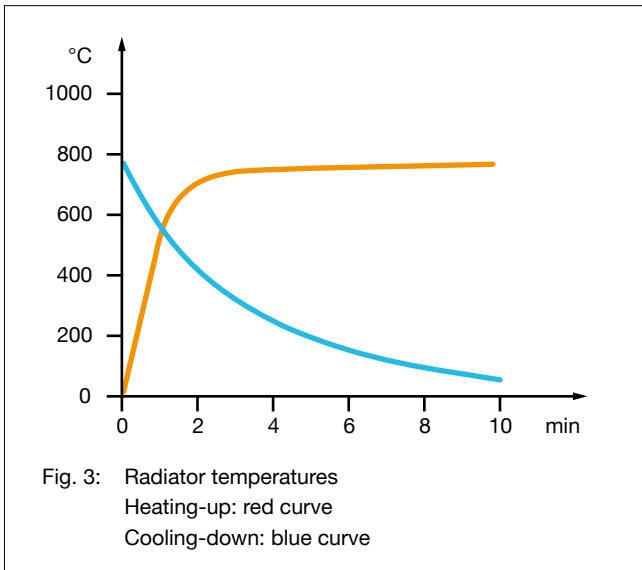
The aluminium reflector focuses the infrared radiation being generated by a ceramic rod radiator so that the FIS radiator transmits a high radiation power to a small area.

This concentration of radiation power is especially suited for solving tasks dealing with the heating of selective or small areas.

The standardised E27 thread allows easy and safe installation, as the radiators can be screwed in like bulbs into porcelain or metal sockets with porcelain insert.

The standard power of Elstein focus infrared radiators FIS is 250 W.





Type, weight, wattage	FIS	90 g	250	W
Surface rating			12.3	kW/m ²
Typical operating temperature			750	°C
Maximum permissible temperature			850	°C
Wavelength range			2 - 10	µm

Standard design Operating voltage 230 V Aluminium reflector E27 Edison screw cap	Thermocouple radiators Not available. For means of controlling output see below.	Variants Special wattages Special voltages
--	---	---

The power can be adjusted using proprietary power controllers or dimmers.

Porcelain or metal sockets with porcelain inserts are to be used both for electrical and mechanical connection of Elstein FIS radiators. The sockets must not contain any plastic components.

The national safety regulations must be complied with for the respective application, for example, the IEC or EN standard 60519-1, Safety in electrical heating installations.

Our instructions for mounting, operation and safety must be observed.